

- Notes:**
1. This drawing shows the following new SET buildings: 38kV traction substations (IÉ+ESB), SEB, PSP and TER.
 2. HV MPRN required
 3. 38kV traction substations (IÉ+ESB) measures:
 - IÉ part: 30 x 10 m (length x width) internal; 30.6 x 10.6 m (length x width) external; height 5.67m
 - ESB part: 14.88 x 8.4 m (length x width) internal; 15.48 x 9 m (length x width) external; height 5m
 4. The GPS coordinates are referred to the center of the ESB part of the HV 38 kV substation:
 EASTINGS: 693903,6717 (ITM), NORTHINGS: 737384,5886 (ITM)

LEGEND		LEGEND		LEGEND	
	ESB - MV/LV Underground		Industrial Sewage Network		Asphalt
	ESB - HV Overhead		Water Supply Network		Sidewalk
	ESB - MV Overhead		Storm water		Landscape planting
	ESB - LV Overhead		EIR		Palisade fence 2.65 m
	Watermain		Network diversion		Palisade fence 2.40 m
	Gravity network		IÉ Property Line		SUBSTATION
	Virgin (NTL - UPC)				10kV MV
	Gas Network (4 bar)				ESB
					SEB
					PSP
					TER
					ASP
					DNO

V01	April 2022	PLANNING ISSUE	MCG	MPT	CCS
REV.	DATE	DESCRIPTION	PRODUCED BY	REVIEWED BY	APPROVED BY
<small>© Irish Rail (2020). This drawing is confidential and the copyright in it is owned by Irish Rail. This drawing must not be either loaned, copied or otherwise reproduced in whole or in part or used for any purpose without the prior permission of Irish Rail. © Ordnance Survey Ireland and Government of Ireland. All O.S. data used for plans are printed under "Copyright Ordnance Survey Ireland". Survey No. 0039720 (OSI Aerial Data or OS Lidar Data) & Survey No. 2020/OSI_NMA_180 (OSI Vector Data). All elevations are in metres and relate to OSi Geoid Model (OSGM02) Mean Head as defined by existing Project Control. All Co-ordinates are in Irish Transverse Mercator Grid (ITM) as defined by OSi active GPS station Tallaght College (TLLG).</small>					

Client

Tionscald Éireann
Project Ireland
2040

NTA
Dúdaire Náisiúnaí Iompartha
National Transport Authority

Iarnród Éireann
Irish Rail

Consultant

IDOM

G3

IRIOD
RODRIGAN & O'SHEA

Project

DART+
West

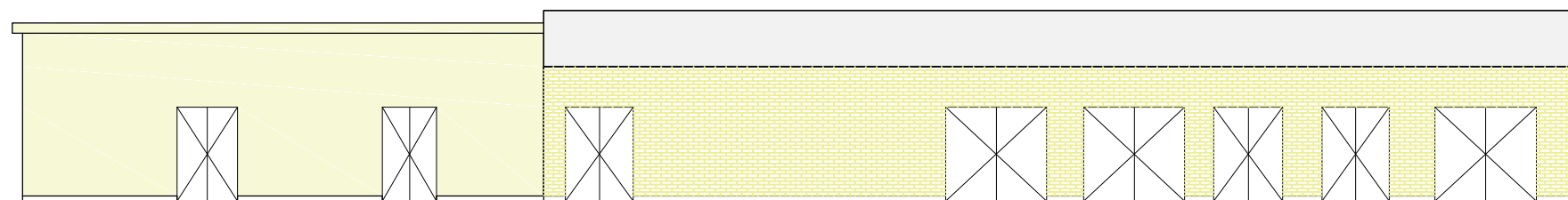
Drawing Title

SET TECHNICAL BUILDINGS
MAYNOOTH

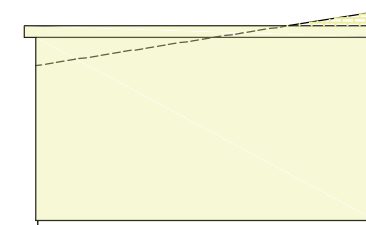
Scale:
1:500 @ A1

Drawing Number | Project | Originator | Discipline | Location | Type | Role | Number | Phase
MAY MDC SET RS14 DR Z 0003 D

Date: April 2022 | Job No: P/101086 | Status: F1-Approved & accepted | Rev: V01 | Sheet: 01 of 01

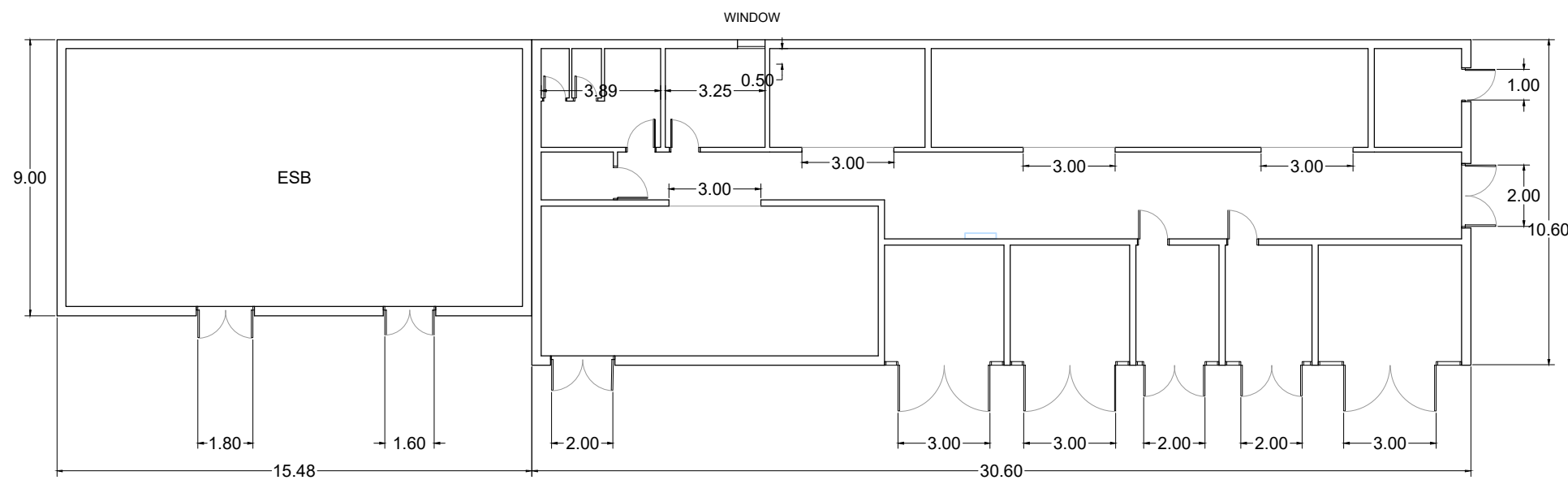


FRONT VIEW



VIEW 1-1'

1



PLAN VIEW

1'

REV	DATE	DESCRIPTION	PRODUCED BY	REVIEWED BY	APPROVED BY
V01	April 2022	PLANNING ISSUE	MCG	MPT	CCS

© Irish Rail (2022). This drawing is confidential and the copyright in it is owned by Irish Rail. This drawing must not be either loaned, copied or otherwise reproduced in whole or in part or used for any purpose without the prior permission of Irish Rail.
 © Ordnance Survey Ireland and Government of Ireland. All O.S. data used for plans are printed under 'Copyright Ordnance Survey Ireland'.
 Survey No. 6039720 (OSi Aerial Data or OSi Lidar Data) & Survey No. 2020091_NMA_180 (OSi Vector Data).
 All elevations are in metres and relate to OSi Geoid Model1 (OSGM02) Mean-High as defined by existing Project Control.
 All Co-ordinates are in Irish Transverse Mercator Grid (ITM) as defined by OSi active GPS station Tallaght College (TL40).

Client

Consultant

Project

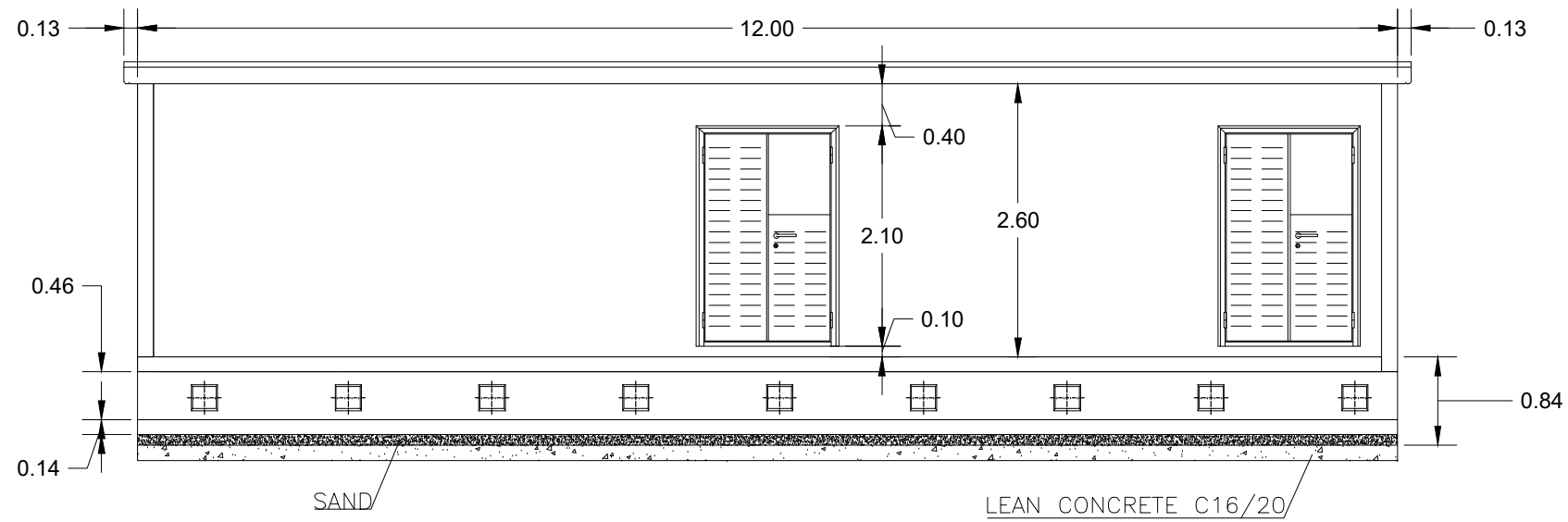
Drawing Title

SET TECHNICAL BUILDINGS
MAYNOOTH BUILDINGS DETAIL

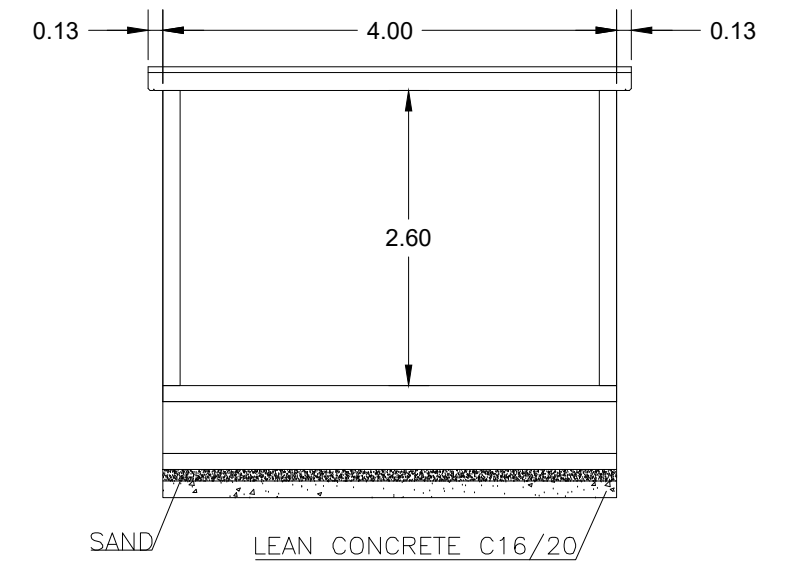
Scale: 1/200@A3

Date:	Job No:	Status:	Rev:	Sheet:
April 2022	P/101086	F1-Approved & accepted	V01	01 of 04

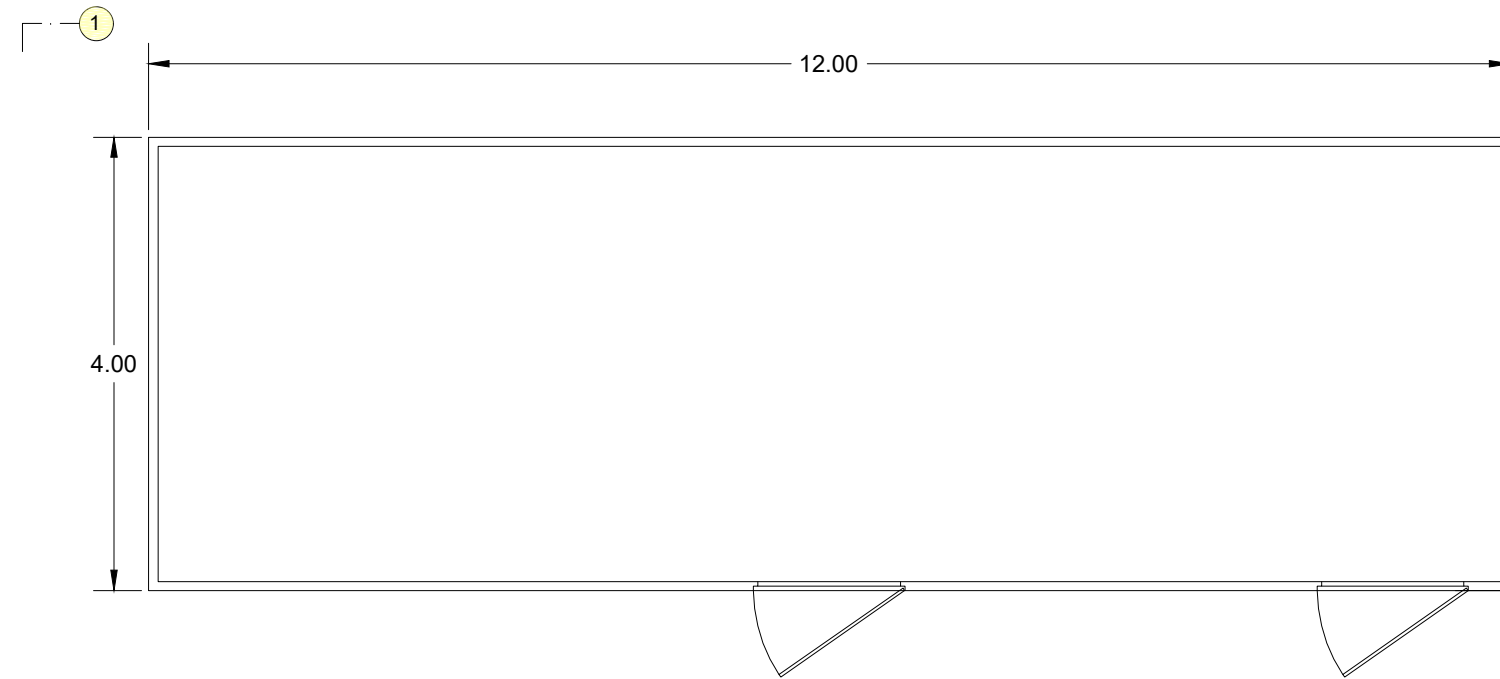
Drawing Number | Project | Originator | Discipline | Location | Type | Role | Number | Phase
 MAY MDC SET RS14 DR Z 0010 D



FRONT VIEW



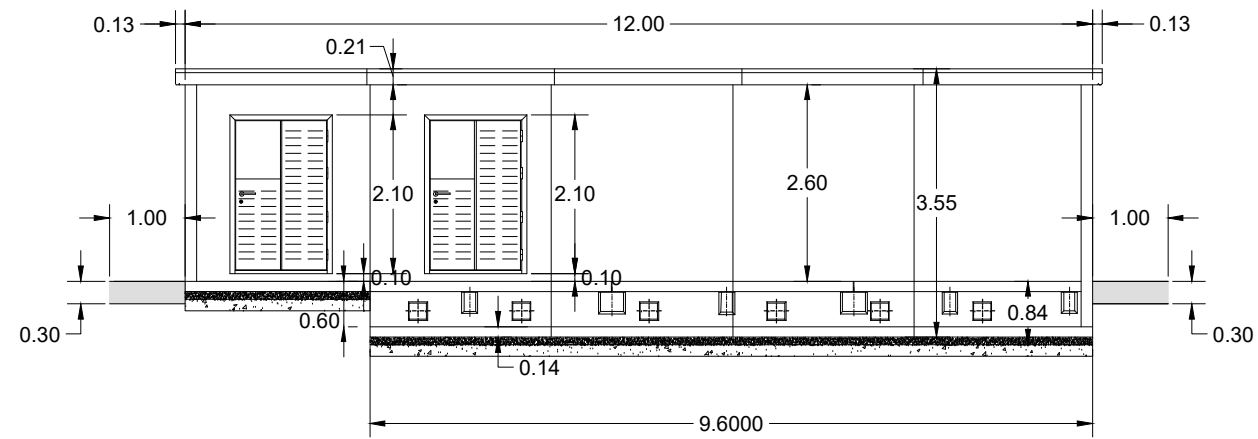
VIEW 1'-1'



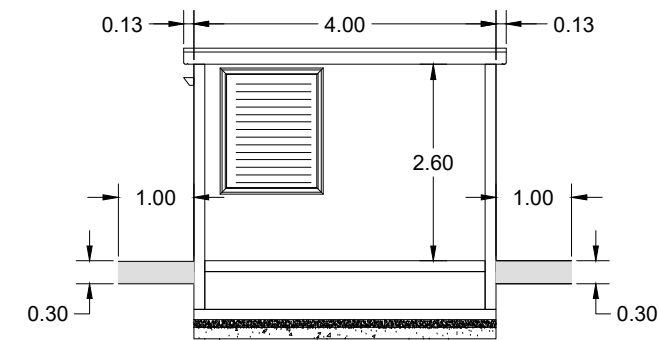
PLANT VIEW

SEB BUILDING

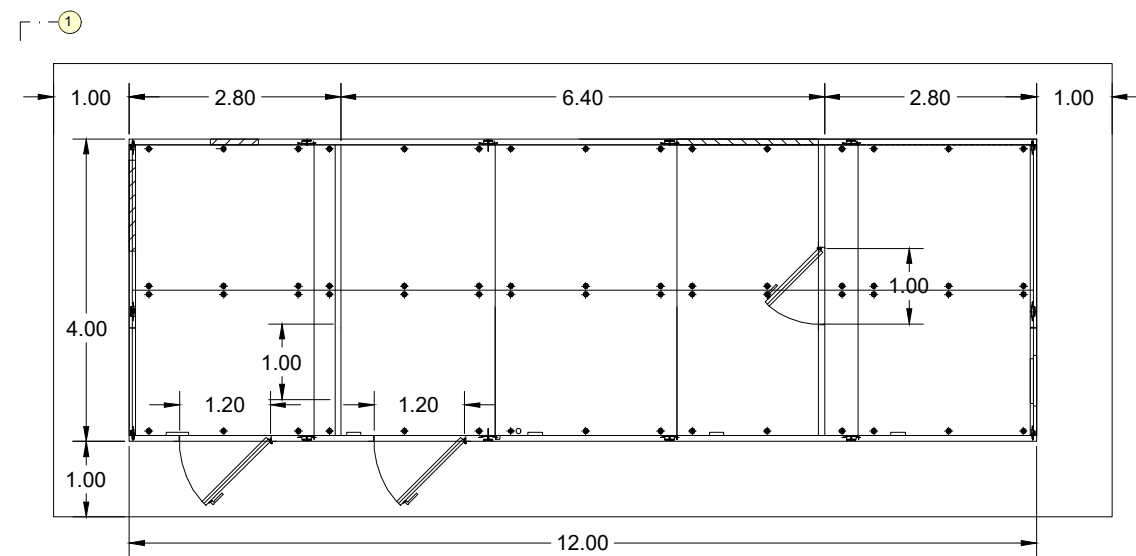
<table border="1"> <tr> <td>REV</td> <td>DATE</td> <td>DESCRIPTION</td> <td>PRODUCED BY</td> <td>REVIEWED BY</td> <td>APPROVED BY</td> </tr> <tr> <td>V01</td> <td>April 2022</td> <td>PLANNING ISSUE</td> <td>MCG</td> <td>MPT</td> <td>CCS</td> </tr> </table>			REV	DATE	DESCRIPTION	PRODUCED BY	REVIEWED BY	APPROVED BY	V01	April 2022	PLANNING ISSUE	MCG	MPT	CCS	<p>Client</p>	<p>Project</p>	<p>Drawing Title</p> <p>SET TECHNICAL BUILDINGS MAYNOOTH BUILDINGS DETAIL</p>																								
REV	DATE	DESCRIPTION	PRODUCED BY	REVIEWED BY	APPROVED BY																																				
V01	April 2022	PLANNING ISSUE	MCG	MPT	CCS																																				
<p>© Irish Rail (2022). This drawing is confidential and the copyright in it is owned by Irish Rail. This drawing must not be either loaned, copied or otherwise reproduced in whole or in part or used for any purpose without the prior permission of Irish Rail.</p> <p>© Ordnance Survey Ireland and Government of Ireland. All O.S. data used for plans are printed under 'Copyright Ordnance Survey Ireland'.</p> <p>Survey No. 6039720 (OSI Aerial Data or OS Lidar Data) & Survey No. 2620091_NMA_180 (OSI Vector Data).</p> <p>All elevations are in metres and relate to OSi Geoid Model1 (OSGM02) Mean-High as defined by existing Project Control.</p> <p>All Co-ordinates are in Irish Transverse Mercator Grid (ITM) as defined by OSi active GPS station Tallaght College (TL40).</p>			<p>Consultant</p>	<p>Scale:</p> <p>1:15@ A3</p>	<table border="1"> <tr> <td>Drawing Number</td> <td>Project</td> <td>Originator</td> <td>Discipline</td> <td>Location</td> <td>Type</td> <td>Role</td> <td>Number</td> <td>Phase</td> </tr> <tr> <td>MAY MDC SET RS14 DR Z 0010</td> <td></td> <td></td> <td></td> <td></td> <td></td> <td></td> <td>0010</td> <td>D</td> </tr> <tr> <td>Date:</td> <td>Job No:</td> <td>Status:</td> <td>Rev:</td> <td>Sheet:</td> <td colspan="4"></td> </tr> <tr> <td>April 2022</td> <td>P/101086</td> <td>F1-Approved & accepted</td> <td>V01</td> <td>02 of 04</td> <td colspan="4"></td> </tr> </table>	Drawing Number	Project	Originator	Discipline	Location	Type	Role	Number	Phase	MAY MDC SET RS14 DR Z 0010							0010	D	Date:	Job No:	Status:	Rev:	Sheet:					April 2022	P/101086	F1-Approved & accepted	V01	02 of 04				
Drawing Number	Project	Originator	Discipline	Location	Type	Role	Number	Phase																																	
MAY MDC SET RS14 DR Z 0010							0010	D																																	
Date:	Job No:	Status:	Rev:	Sheet:																																					
April 2022	P/101086	F1-Approved & accepted	V01	02 of 04																																					



FRONT VIEW



VIEW 1'-1'



PLANT VIEW

PSP BUILDING

REV	DATE	DESCRIPTION	PRODUCED BY	REVIEWED BY	APPROVED BY
V01	April 2022	PLANNING ISSUE	MCG	MPT	CCS

© Irish Rail (2022). This drawing is confidential and the copyright in it is owned by Irish Rail. This drawing must not be either loaned, copied or otherwise reproduced in whole or in part or used for any purpose without the prior permission of Irish Rail.
 © Ordnance Survey Ireland and Government of Ireland. All O.S. data used for plans are printed under 'Copyright Ordnance Survey Ireland'.
 Survey No. 6039720 (OS Aerial Data or OS Lidar Data) & Survey No. 2020091_NMA_180 (OS Vector Data).
 All elevations are in metres and relate to OS Geoid Model1 (OSGM02) Mean-High as defined by existing Project Control.
 All Co-ordinates are in Irish Transverse Mercator Grid (ITM) as defined by OSi active GPS station Tallaght College (TL40).

Client

Consultant

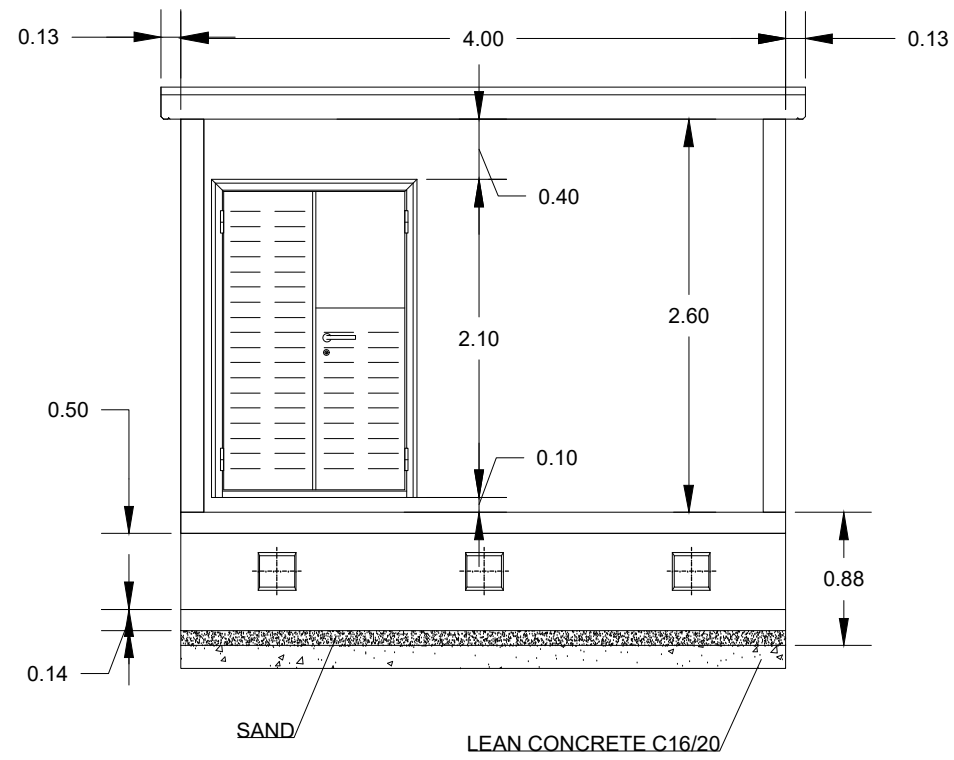
Project

Drawing Title

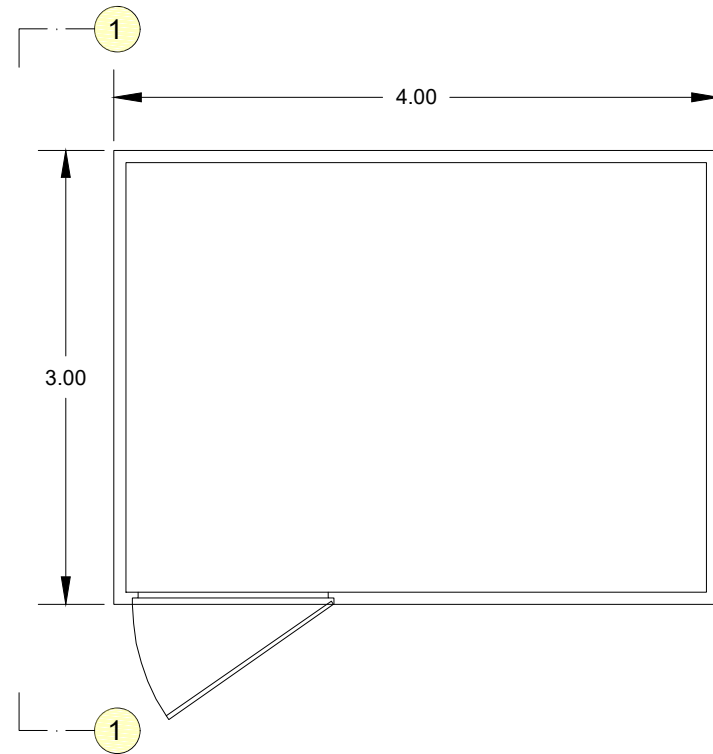
SET TECHNICAL BUILDINGS
MAYNOOTH BUILDINGS DETAIL

Scale: 1:100 @ A3

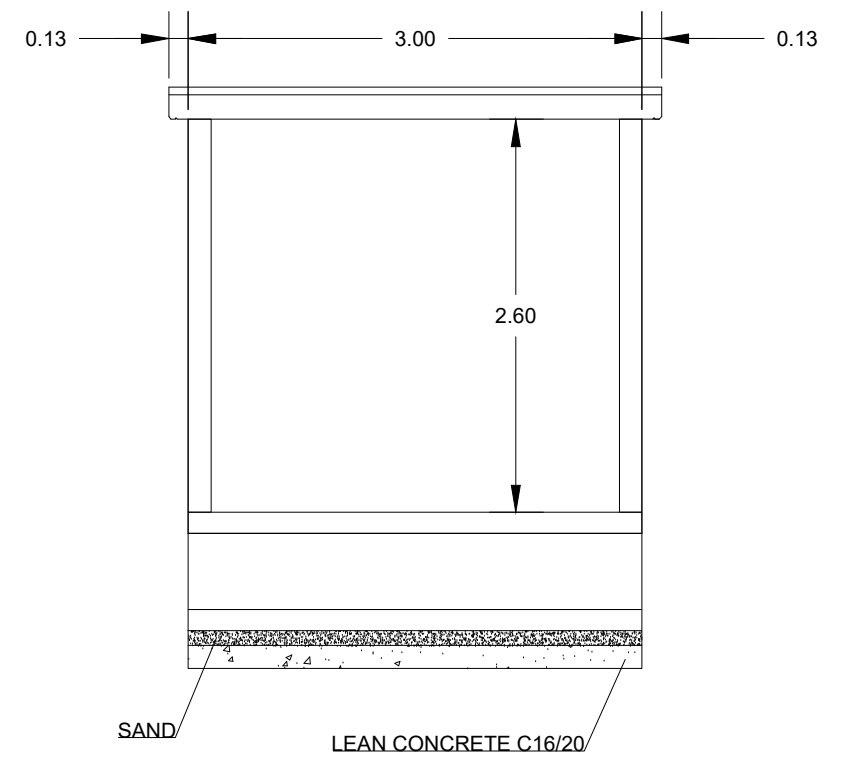
Date:	Job No:	Status:	Rev:	Sheet:
April 2022	P/101086	F1-Approved & accepted	V01	03 of 04



FRONT VIEW



PLANT VIEW



VIEW 1'-1'

TER BUILDING

REV	DATE	DESCRIPTION	PRODUCED BY	REVIEWED BY	APPROVED BY
V01	April 2022	PLANNING ISSUE	MCG	MPT	CCS

© Irish Rail (2022). This drawing is confidential and the copyright in it is owned by Irish Rail. This drawing must not be either loaned, copied or otherwise reproduced in whole or in part or used for any purpose without the prior permission of Irish Rail.
 © Ordnance Survey Ireland and Government of Ireland. All O.S. data used for plans are printed under "Copyright Ordnance Survey Ireland".
 Survey No. 6039720 (OSI Aerial Data or OS Lidar Data) & Survey No. 2020091_NMA_180 (OSI Vector Data).
 All elevations are in metres and relate to OSi Geoid Model1 (OSGM02) Mean-High as defined by existing Project Control.
 All Co-ordinates are in Irish Transverse Mercator Grid (ITM) as defined by OSi active GPS station Tallaght College (TL40).

Client

Consultant

Project

Drawing Title

SET TECHNICAL BUILDINGS
MAYNOOTH BUILDINGS DETAIL

Scale: 1:20@ A3

Drawing Number	Project	Originator	Discipline	Location	Type	Role	Number	Phase
MAY	MDC	SET	RS14	DR	Z	0010	D	

Date:	Job No:	Status:	Rev:	Sheet:
April 2022	P/101086	F1-Approved & accepted	V01	04 of 04