

Notes:

1. This drawing shows the following new SET buildings: 10kV MV+customer switch room and DNO.
2. MPRN is required for DNO.

LEGEND					
	ESB - MV/LV Underground		Industrial Sewage Network		Asphalt
	ESB - HV Overhead		Water Supply Network		Sidewalk
	ESB - MV Overhead		Storm water		Landscape planting
	ESB - LV Overhead		EIR		Palisade fence 2.65 m
	Watermain		Network diversion		Palisade fence 2.40 m
	Gravity network		IE Property Line		TER
	Virgin (NTL - UPC)				ASP
	Gas Network (4 bar)				DNO
					SUBSTATION
					10kV MV
					ESB
					PSP
					TER
					ASP
					DNO

V01	April 2022	PLANNING ISSUE	MCG	MPT	CCS
REV.	DATE	DESCRIPTION	PRODUCED BY	REVIEWED BY	APPROVED BY
<small>© Irish Rail (2020). This drawing is confidential and the copyright in it is owned by Irish Rail. This drawing must not be either loaned, copied or otherwise reproduced in whole or in part or used for any purpose without the prior permission of Irish Rail. © Ordnance Survey Ireland and Government of Ireland. All O.S. data used for plans are printed under "Copyright Ordnance Survey Ireland". Survey No. 0039720 (OSi Aerial Data or OSi Lidar Data) & Survey No. 2020/081_NMA_180 (OSi Vector Data). All elevations are in metres and relate to OSi Geoid Model (OSGM02) Mean Head as defined by existing Project Control. All Co-ordinates are in Irish Transverse Mercator Grid (ITM) as defined by OSi active GPS station Tallaght College (TLG0).</small>					

Client

Consultant

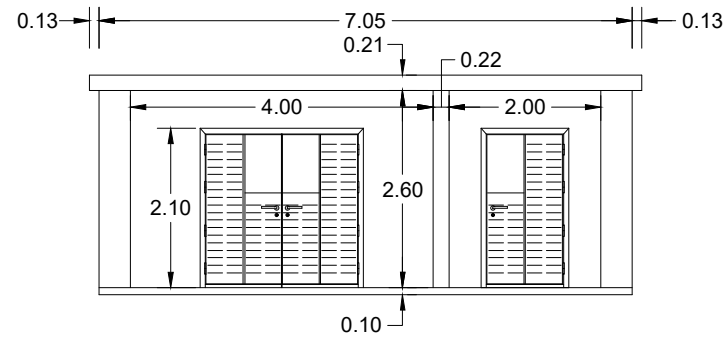
Project

Drawing Title

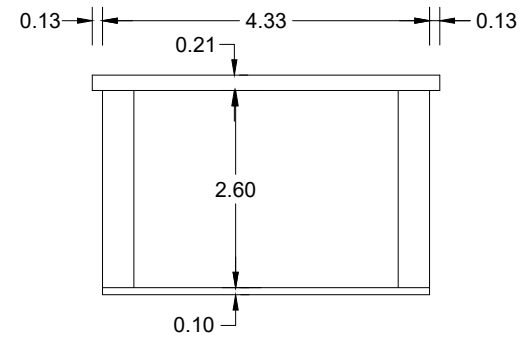
SET TECHNICAL BUILDINGS NEWCOMEN PUMP STATION

Scale: 1:500 @ A1

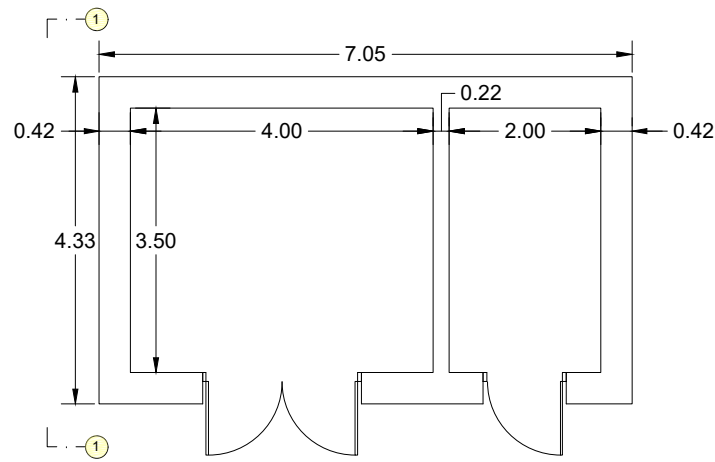
Drawing Number	Project	Originator	Discipline	Location	Type	Role	Number	Phase
	MAY	MDC	SET	RS20	DR	Z	0003	D
Date:	Job No:	Status:	Rev:					
April 2022	P/101086	F1-Approved & accepted	V01	Sheet 01 of 01				



FRONT VIEW



VIEW 1'-1'



PLANT VIEW

10KV MV & SWITCH ROOM BUILDING

REV	DATE	DESCRIPTION	PRODUCED BY	REVIEWED BY	APPROVED BY
V01	April 2022	PLANNING ISSUE	MCG	MPT	CCS

© Irish Rail (2022). This drawing is confidential and the copyright in it is owned by Irish Rail. This drawing must not be either loaned, copied or otherwise reproduced in whole or in part or used for any purpose without the prior permission of Irish Rail.
 © Ordnance Survey Ireland and Government of Ireland. All O.S. data used for plans are printed under 'Copyright Ordnance Survey Ireland' Survey No. 6039720 (OS Aerial Data or OS Lidar Data) & Survey No. 2020051_NMA_180 (OS Vector Data).
 All elevations are in metres and relate to OS Geoid Model1 (OSGM02) Mean-High as defined by existing Project Control.
 All Co-ordinates are in Irish Transverse Mercator Grid (ITM) as defined by OSi active GPS station Tallaght College (TL40).

Client

Consultant

Project

Drawing Title

SET TECHNICAL BUILDINGS
NEWCOMEN PUMP STATION BUILDINGS DETAIL

Scale: 1:100 @ A3

Date: April 2022	Job No: P/101086	Status: F1-Approved & accepted	Rev: V01	Sheet: 01 of 01
------------------	------------------	--------------------------------	----------	-----------------