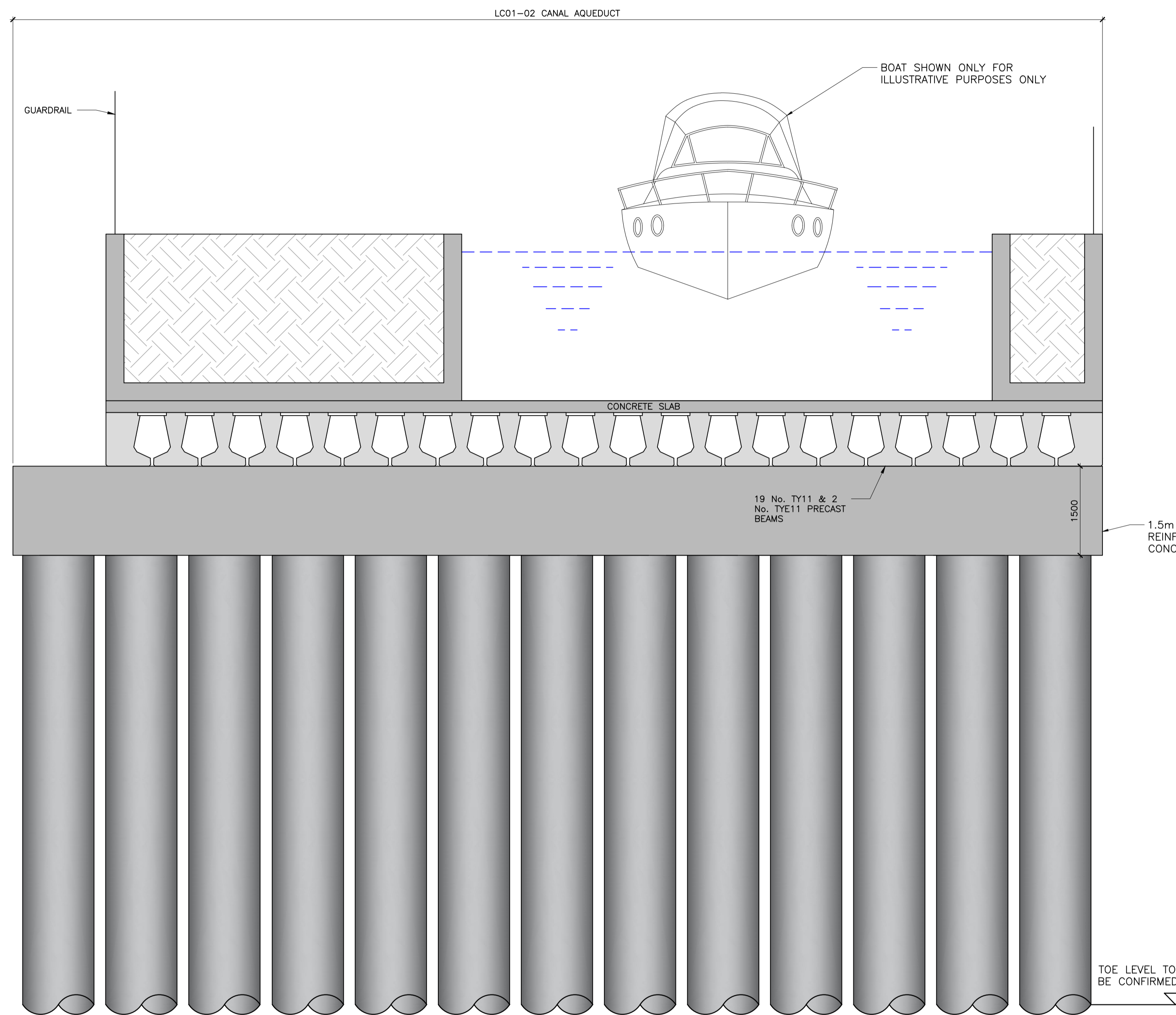


NOTES

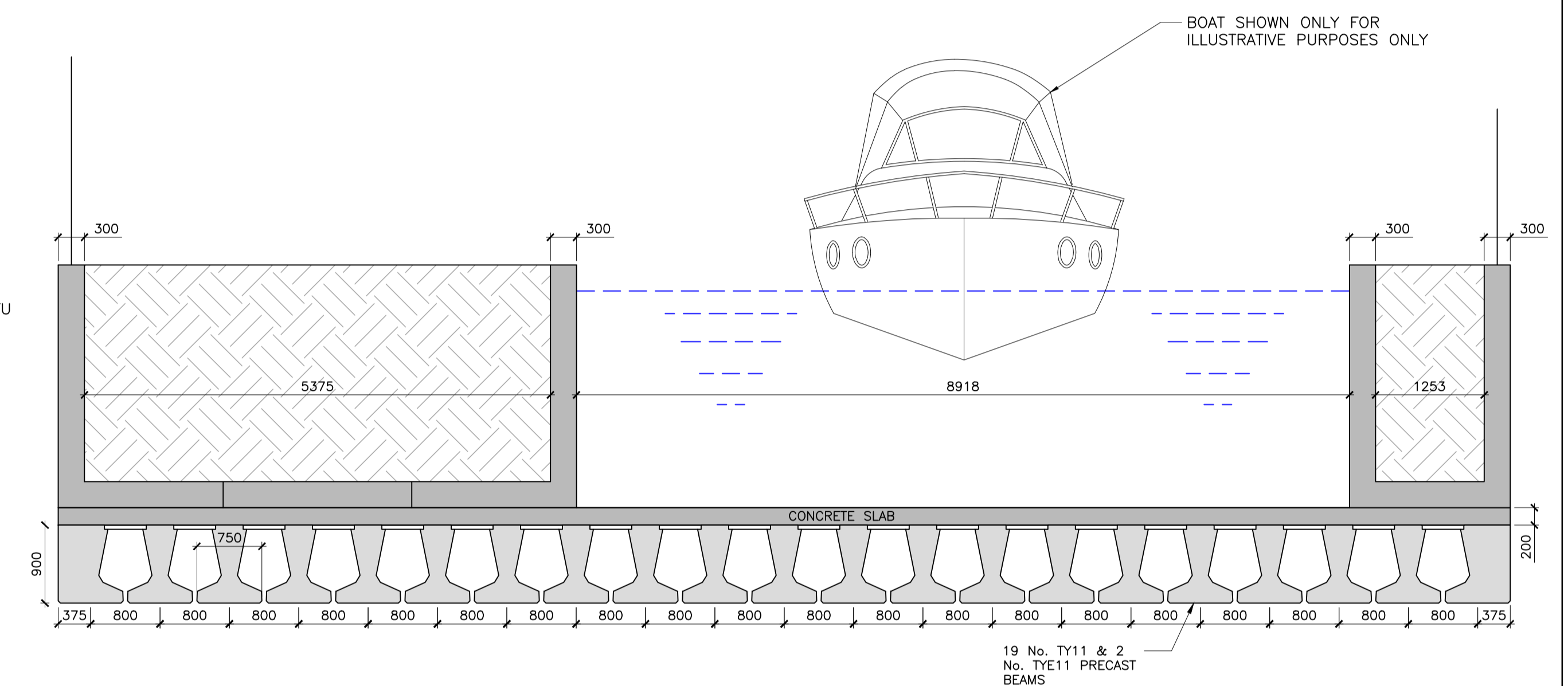
1. ALL DIMENSIONS ARE IN MILLIMETRES UNLESS NOTED OTHERWISE.
2. ALL LEVELS ARE IN METRES ABOVE NATIONAL ORDNANCE DATUM. UNLESS NOTED OTHERWISE
3. ALL GROUND STRATA INFORMATION AND GROUND WATER INFORMATION IS ASSUMED AND INDICATIVE. TO BE CONFIRMED FOLLOWING RECEIPT OF SITE SPECIFIC GROUND INVESTIGATION INFORMATION

REFERENCE INFORMATION

1. TOPOGRAPHICAL SURVEY INFORMATION TAKEN FROM DRAWING NUMBER MAY-PCA-VTO-SW_AE-M2-VT-3002
2. EXISTING SURFACE WATER DRAINAGE TAKEN FROM ROD DRAWINGS SERIES MAY-ROD-UTL-LC001-DR-C-0021 to 0025
3. EXISTING COMBINED AND FOUL WATER DRAINAGE TAKEN FROM ROD DRAWINGS SERIES MAY-ROD-UTL-LC001-DR-C-0021 to 0025
4. FOR ROAD DRAWINGS REFER TO ROD DRAWING NUMBER SERIES MAY-ROD-HRW-LC01-DR-C-0001 to 0005



SECTION I-I - LONGITUDINAL SECTION CANAL BRIDGE
SCALE 1:50 A1
SCALE 1:100 A3



SECTION I-I - LONGITUDINAL SECTION SUPERSTRUCTURE
SCALE 1:50 A1
SCALE 1:100 A3

REV.	DATE	DESCRIPTION	IT	PC	MK
V01	May 2021	PUBLIC CONSULTATION			
			IT	PC	MK

PRODUCED BY REVIEWED BY APPROVED BY

© Irish Rail (2021). This drawing is confidential and the copyright in it is owned by Irish Rail. This drawing must not be either loaned, copied or otherwise reproduced in whole or in part or used for any purpose without the prior permission of Irish Rail.
© Ordnance Survey Ireland and Government of Ireland. All O.S. data used for plans are printed under "Copyright Ordnance Survey Ireland".
Survey No. 0039721 (OSi Aerial Data or OSi Lidar Data) & Survey No. 2021081_NMA_180 (OSi Vector Data).
All elevations are in metres and relate to OSi Geoid Model (OSGM02) Malin Head as defined by existing Project Control.
All Co-ordinates are in Irish Transverse Mercator Grid (ITM) as defined by OSi active GPS station Tallaght College (TLTG).

Client

Tionscadal Éireann Project Ireland 2040

NTA Údarás Náisiúnta Iompair National Transport Authority

Iarnród Éireann Irish Rail

Consultant

IDOM

G3

PROD

ROUGHAN & O'DONOVAN

Project

DART+ West

Drawing Title

ASHTOWN UNDERPASS
GENERAL ARRANGEMENT - LONGITUDINAL SECTION
SHEET 9 OF 9

Scale: 1:50 @ A1

Drawing Number | Project | Originator | Discipline | Location | Type | Role | Number | Phase
MAY ROD STR LC01 DR C 0018 B

Date: May 2021 | Job No: P/101086 | Status: S4 - Suitable for Acceptance | Rev: V 01 | Sheet: 09 of 09