

V 01	May 2021	PUBLIC CONSULTATION	IMT	CCH	TMK
REV.	DATE	DESCRIPTION	PRODUCED BY	REVIEWED BY	APPROVED BY

© Irish Rail (2021). This drawing is confidential and the copyright in it is owned by Irish Rail. This drawing must not be either loaned, copied or otherwise reproduced in whole or in part or used for any purpose without the prior permission of Irish Rail.
 © Ordnance Survey Ireland and Government of Ireland. All O.S. data used for plans are printed under "Copyright Ordnance Survey Ireland".
 Survey No. 0039720 (OSi Aerial Data or OSi Lidar Data) & Survey No. 2021/081_NMA_100 (OSi Vector Data).
 All elevations are in metres and relate to OSi Geoid Model (OSGM02) Malin Head as defined by existing Project Control.
 All Co-ordinates are in Irish Transverse Mercator Grid (ITM) as defined by OSi active GPS station Tallaght College (TLLG).

Client

Tionscaldal Éireann
Project Ireland
2040

NTA
Udarás Náisiúnta Iompair
National Transport Authority

Iarnród Éireann
Irish Rail

Consultant

IDOM

G3

IROD
ROUGHAN & O'DONOVAN

Project

DART+
West

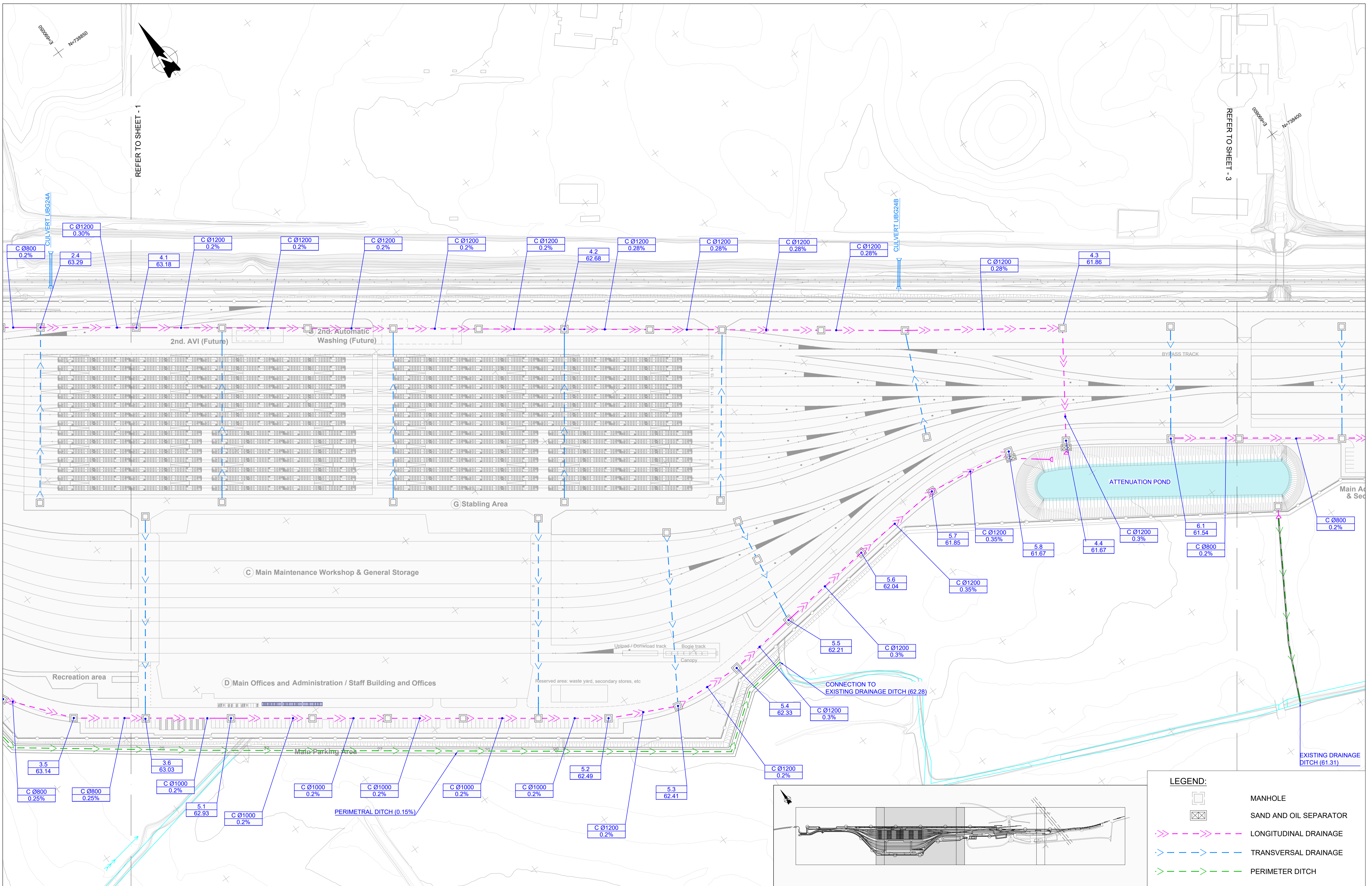
Drawing Title

DEPOT CIVIL DESIGN
UTILITIES
SURFACE WATER DRAINAGE

Scale: 1:1000 @ A1

Drawing Number | Project | Originator | Discipline | Location | Type | Role | Number | Phase
MAY MDC UTL DEPM DR Y 0002 B

Date: May 2021 | Job No: P/101086 | Status: S4 Suitable for Acceptance | Rev: V 01 | Sheet: 1 of 4



LEGEND:

	MANHOLE
	SAND AND OIL SEPARATOR
	LONGITUDINAL DRAINAGE
	TRANSVERSAL DRAINAGE
	PERIMETER DITCH

V 01	May 2021	PUBLIC CONSULTATION	IMT	CCH	TMK
REV.	DATE	DESCRIPTION	PRODUCED BY	REVIEWED BY	APPROVED BY

© Irish Rail (2021). This drawing is confidential and the copyright in it is owned by Irish Rail. This drawing must not be either loaned, copied or otherwise reproduced in whole or in part or used for any purpose without the prior permission of Irish Rail.
 © Ordnance Survey Ireland and Government of Ireland. All O.S. data used for plans are printed under "Copyright Ordnance Survey Ireland".
 Survey No. 0039720 (OSi Aerial Data or OSi Lidar Data) & Survey No. 2021081_NMA_100 (OSi Vector Data).
 All elevations are in metres and relate to OSi Geoid Model (OSGM02) Mean Head as defined by existing Project Control.
 All Co-ordinates are in Irish Transverse Mercator Grid (ITM) as defined by OSi active GPS station Tallaght College (TLTG).

Client

Tionscadal Éireann Project Ireland 2040

NTA Udarás Náisiúnta Iompará Náisiúnta Transporta

lanróid Éireann Irish Rail

Consultant

IDOM

G3

IROD ROUGHAN & O'DONOVAN

Project

DART+ West

Drawing Title

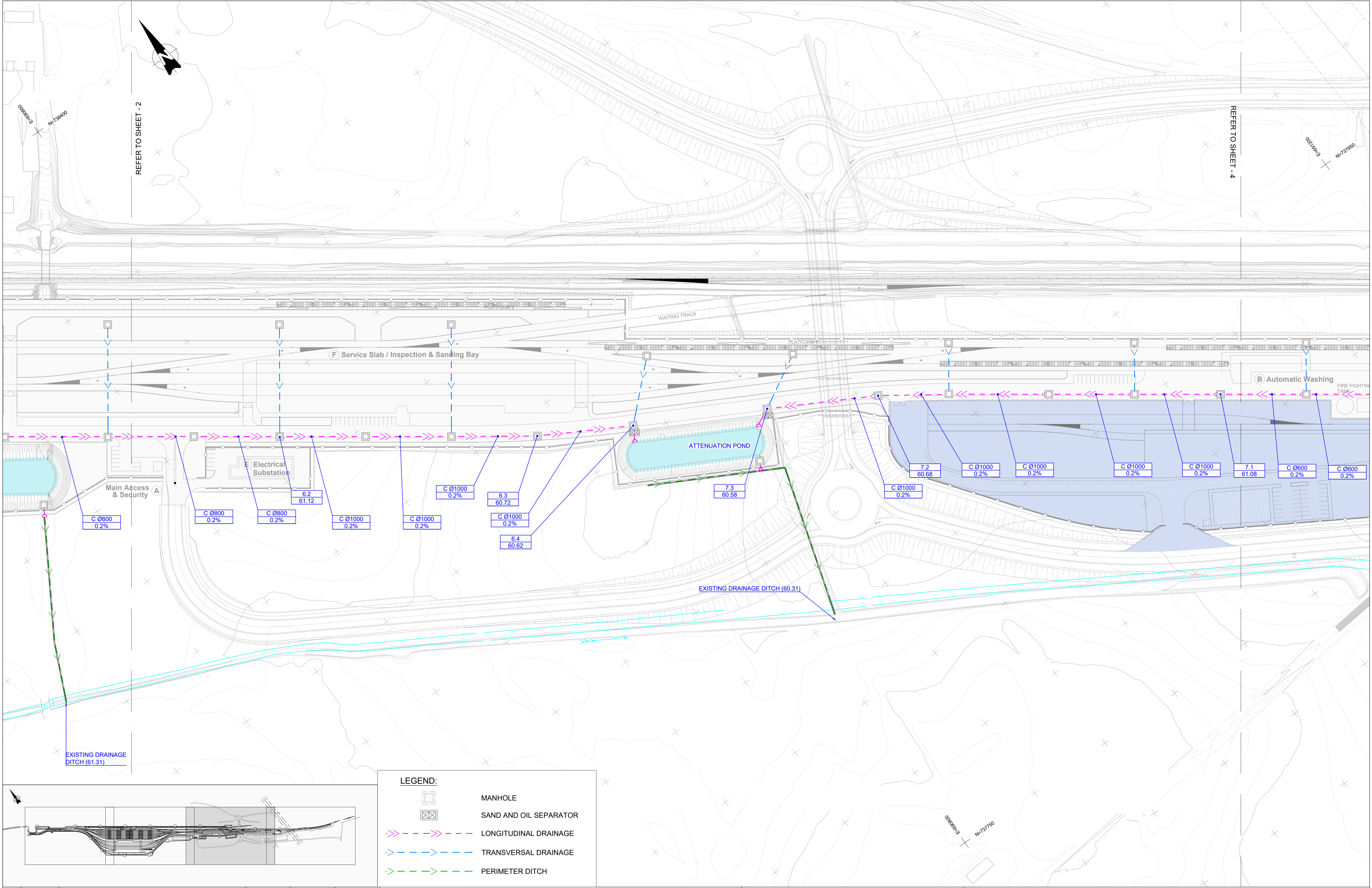
DEPOT CIVIL DESIGN UTILITIES SURFACE WATER DRAINAGE

Scale: 1:1000 @ A1

Drawing Number | Project | Originator | Discipline | Location | Type | Role | Number | Phase

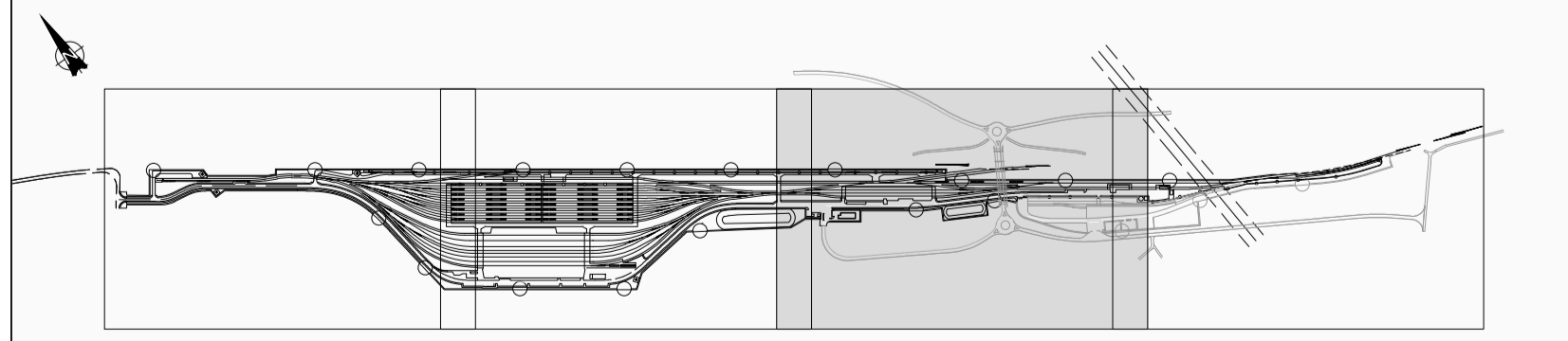
MAY MDC UTL DEPM DR Y 0002 B

Date: May 2021 | Job No: P/101086 | Status: S4 Suitable for Acceptance | Rev: V 01 | Sheet: 2 of 4



REFER TO SHEET - 2

REFER TO SHEET - 4



LEGEND:

	MANHOLE
	SAND AND OIL SEPARATOR
	LONGITUDINAL DRAINAGE
	TRANSVERSAL DRAINAGE
	PERIMETER DITCH

V 01	May 2021	PUBLIC CONSULTATION	IMT	CCH	TMK
REV.	DATE	DESCRIPTION	PRODUCED BY	REVIEWED BY	APPROVED BY

© Irish Rail (2021). This drawing is confidential and the copyright in it is owned by Irish Rail. This drawing must not be either loaned, copied or otherwise reproduced in whole or in part or used for any purpose without the prior permission of Irish Rail.
 © Ordnance Survey Ireland and Government of Ireland. All O.S. data used for plans are printed under "Copyright Ordnance Survey Ireland".
 Survey No. 6039720 (OSi Aerial Data or OSi Lidar Data) & Survey No. 20211081_NMA_180 (OSi Vector Data).
 All elevations are in metres and relate to OSi Geoid Model (OSGM02) Malin Head as defined by existing Project Control.
 All Co-ordinates are in Irish Transverse Mercator Grid (ITM) as defined by OSi active GPS station Tallaght College (TLLG).

Client

Tionscald Éireann
Project Ireland
2040

NTA
Udarás Náisiúnta Iompair
National Transport Authority

Iarnród Éireann
Irish Rail

Consultant

IDOM

G3

PROD

ROUGHAN & O'DONOVAN

Project

DART+
West

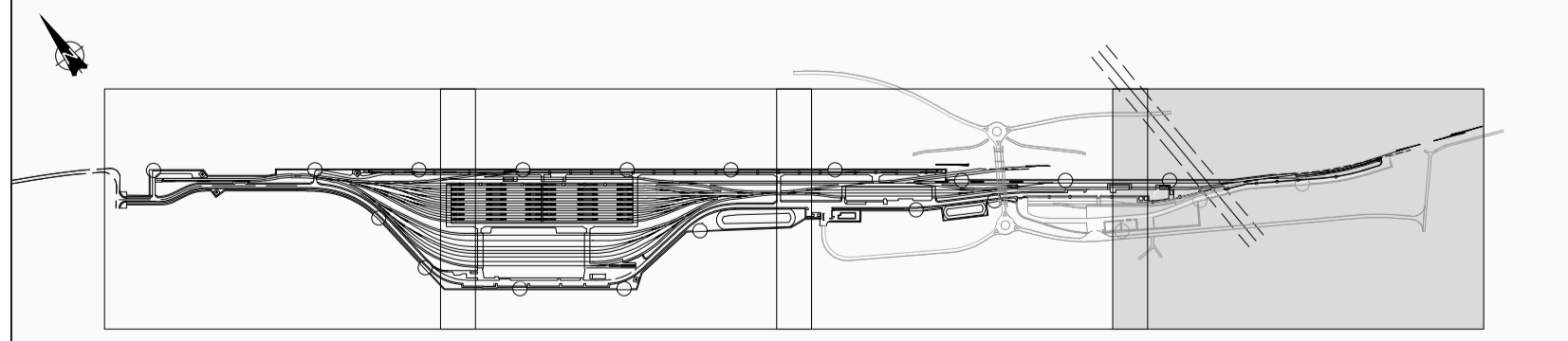
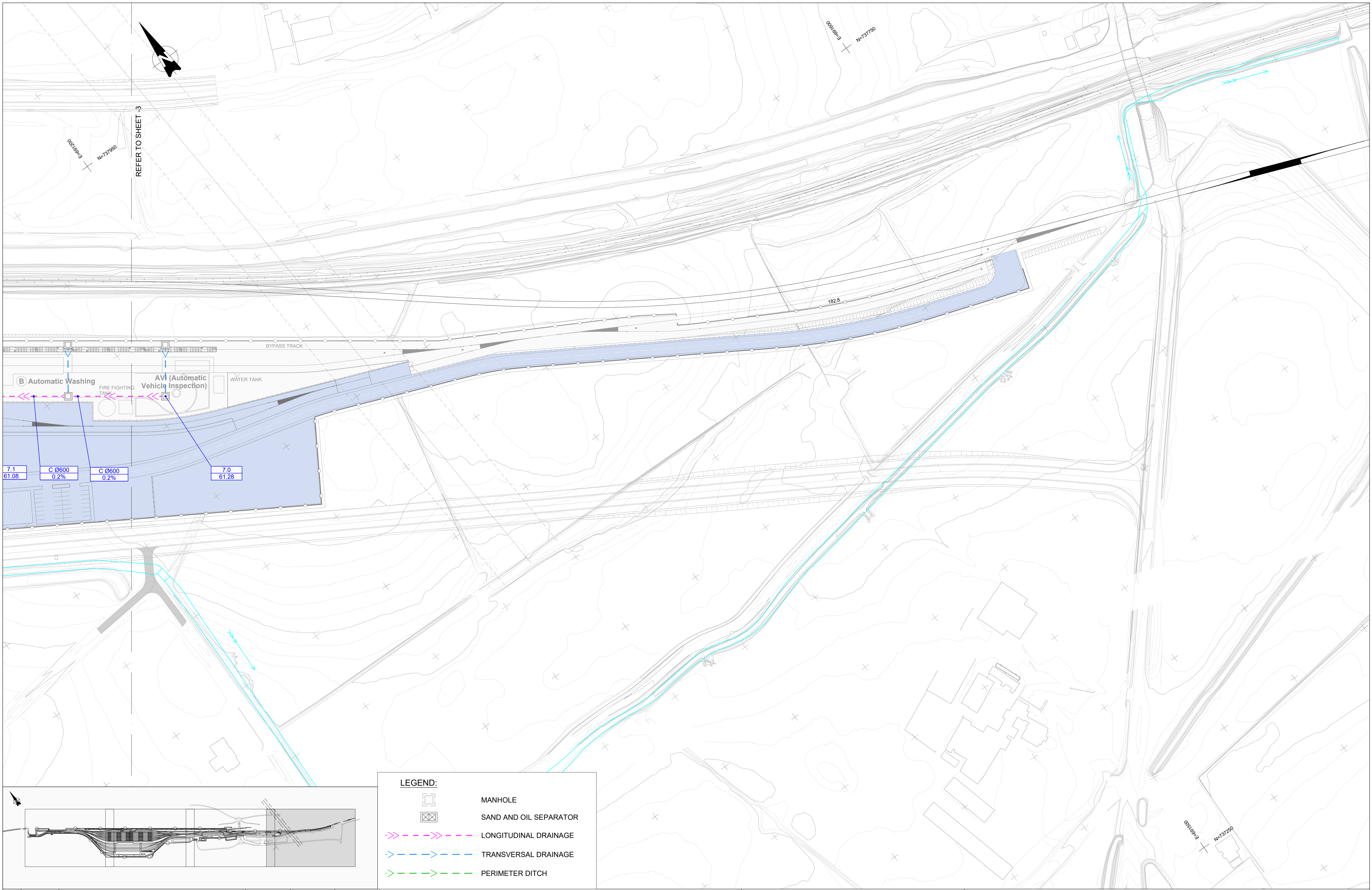
Drawing Title

DEPOT CIVIL DESIGN
UTILITIES
SURFACE WATER DRAINAGE

Scale: 1:1000 @ A1

Drawing Number | Project | Originator | Discipline | Location | Type | Role | Number | Phase
MAY MDC UTL DEPM DR Y 0002 B

Date: May 2021 | Job No: P/101086 | Status: S4 Suitable for Acceptance | Rev: V 01 | Sheet: 3 of 4



LEGEND:

	MANHOLE
	SAND AND OIL SEPARATOR
	LONGITUDINAL DRAINAGE
	TRANSVERSAL DRAINAGE
	PERIMETER DITCH

V 01	May 2021	PUBLIC CONSULTATION	IMT	CCH	TMK
REV.	DATE	DESCRIPTION	PRODUCED BY	REVIEWED BY	APPROVED BY

© Irish Rail (2021). This drawing is confidential and the copyright in it is owned by Irish Rail. This drawing must not be either loaned, copied or otherwise reproduced in whole or in part or used for any purpose without the prior permission of Irish Rail.
 © Ordnance Survey Ireland and Government of Ireland. All O.S. data used for plans are printed under "Copyright Ordnance Survey Ireland".
 Survey No. 0039720 (OSI Aerial Data or OSi Lidar Data) & Survey No. 2021081_NMA_100 (OSi Vector Data).
 All elevations are in metres and relate to OSi Geoid Model (OSGM02) Mean Head as defined by existing Project Control.
 All Co-ordinates are in Irish Transverse Mercator Grid (ITM) as defined by OSi active GPS station Tallaght College (TLLG).

Client

Tionscatal Éireann
Project Ireland
2040

NTA
Udarás Náisiúnta Iompar
National Transport Authority

Iarnród Éireann
Irish Rail

Consultant

IDOM

ROD
ROUGHAN & O'DONOVAN

Project

DART+
West

Drawing Title

DEPOT CIVIL DESIGN
UTILITIES
SURFACE WATER DRAINAGE

Scale:
1:1000 @ A1

Drawing Number | Project | Originator | Discipline | Location | Type | Role | Number | Phase
MAY MDC UTL DEPM DR Y 0002 B

Date: May 2021 | Job No: P/101086 | Status: S4 Suitable for Acceptance | Rev: V 01 | Sheet: 4 of 4